

ERG600W WATER ROWING MACHINE **OWNER'S MANUAL**

PLEASE CAREFULLY READ THIS ENTIRE MANUAL BEFORE OPERATING YOUR NEW ROWER



Congratulations On Your New Rower and Welcome to the XTERRA Fitness Family!

Thank you for your purchase of this quality rower from **XTERRA Fitness**. Your new rower has been manufactured by one of the leading fitness manufacturers in the world. **XTERRA Fitness** will do all we can to make your ownership experience as pleasant as possible for many years to come. If you have questions, or if parts are missing or damaged, or you require customer service, call (870) 333-5500. Please have your model number and serial number handy when you call.

Please take a moment to record where you purchased your machine, as well as the date of purchase for future reference. We appreciate your confidence in **XTERRA Fitness** and we will always remember that you are the reason that we are in business. Please complete and mail your registration card today and enjoy your new rower.

Yours in Health,
XTERRA Fitness

Table Of Contents

Product Registration	1
Important Safety Instructions	2
ERG600W Assembly Instructions	4
Fill and Empty the Tank	12
Adjustment Guides	13
Console Operation	16
Manufacturer's Limited Warranty	22

Product Registration

Purchase Location _____

Purchase Date _____

Record Your Serial Number

Please record the Serial Number of this fitness product in the space provided below.

Serial Number _____

Register Your Purchase

The self-addressed product registration card must be completed in full and returned to **XTERRA Fitness**. You can also go to www.xterrafitness.com/warrantyreg.html to register online.

ATTENTION

THIS ROWER IS INTENDED FOR **RESIDENTIAL USE ONLY** AND IS WARRANTED FOR THE APPLICATION. ANY OTHER APPLICATION **VOIDS** THIS WARRANTY IN ITS ENTIRETY.

Important Safety Instructions

When using an appliance, basic precautions should always be followed, including the following:

Read all instructions before using this appliance.

WARNING - To reduce the risk injury to persons:

1. Do not operate under blanket or pillow.
2. Operate the machinery with ample free space around it to easily get on and off the machine.
3. This exercise equipment is not intended for use by persons with reduced physical, sensory or mental capabilities, or lack of experience and knowledge.
4. Keep children and pets away from the machine at all times. DO NOT leave children unattended in the same room with the machine.
5. Use this appliance only for its intended use as described in this manual. Do not use attachments not recommended by the manufacturer.
6. Never operate this appliance if it is not working properly, if it has been dropped or damaged, or dropped into water. Return the appliance to a service center for examination and repair.
7. Keep the appliance away from heated surfaces.
8. Never operate the appliance with the air openings blocked. Keep the air openings free of lint, hair, and the like.
9. Never drop or insert any object into any opening.
10. Do not use outdoors.
11. Do not operate where aerosol (spray) products are being use or where oxygen is being administered.
12. The appliance is intended for household use.
13. After assembly, make sure to tighten all nuts and bolts.



WARNING: This product can expose you to chemicals including Toluene and Acrylamide which are known to the State of California to cause cancer and birth defects or other reproductive harm. For more information go to www.P65Warnings.ca.gov

Fitness Equipment Safety Instructions

- Do not operate equipment on deeply padded, plush or shag carpet. Damage to both carpet and equipment may result.
- Before beginning this or any exercise program, consult a physician. This is especially important for persons over the age of 35 or persons with pre-existing health conditions.
- Keep hands away from all moving parts.
- Do not attempt to use your equipment for any purpose other than for the purpose it is intended.
- Wear proper shoes. High heels, dress shoes, sandals or bare feet are not suitable for use on your equipment. Quality athletic shoes are recommended to avoid leg fatigue.
- Wear proper clothing for exercising, loose clothing could become caught in the machine.
- Only one person at a time should use the machine.
- If the user experiences dizziness, nausea, chest pain, or any other abnormal symptoms, STOP the workout at once. CONSULT A PHYSICIAN IMMEDIATELY.
- Do not place any sharp object around the machine.
- Always use caution when moving and storing your equipment.
- User Weight Limit: 300 LBS

Failure to follow all guidelines may compromise the effectiveness of the exercise experience, expose yourself (and possibly others) to injury, and reduce the longevity of the equipment.

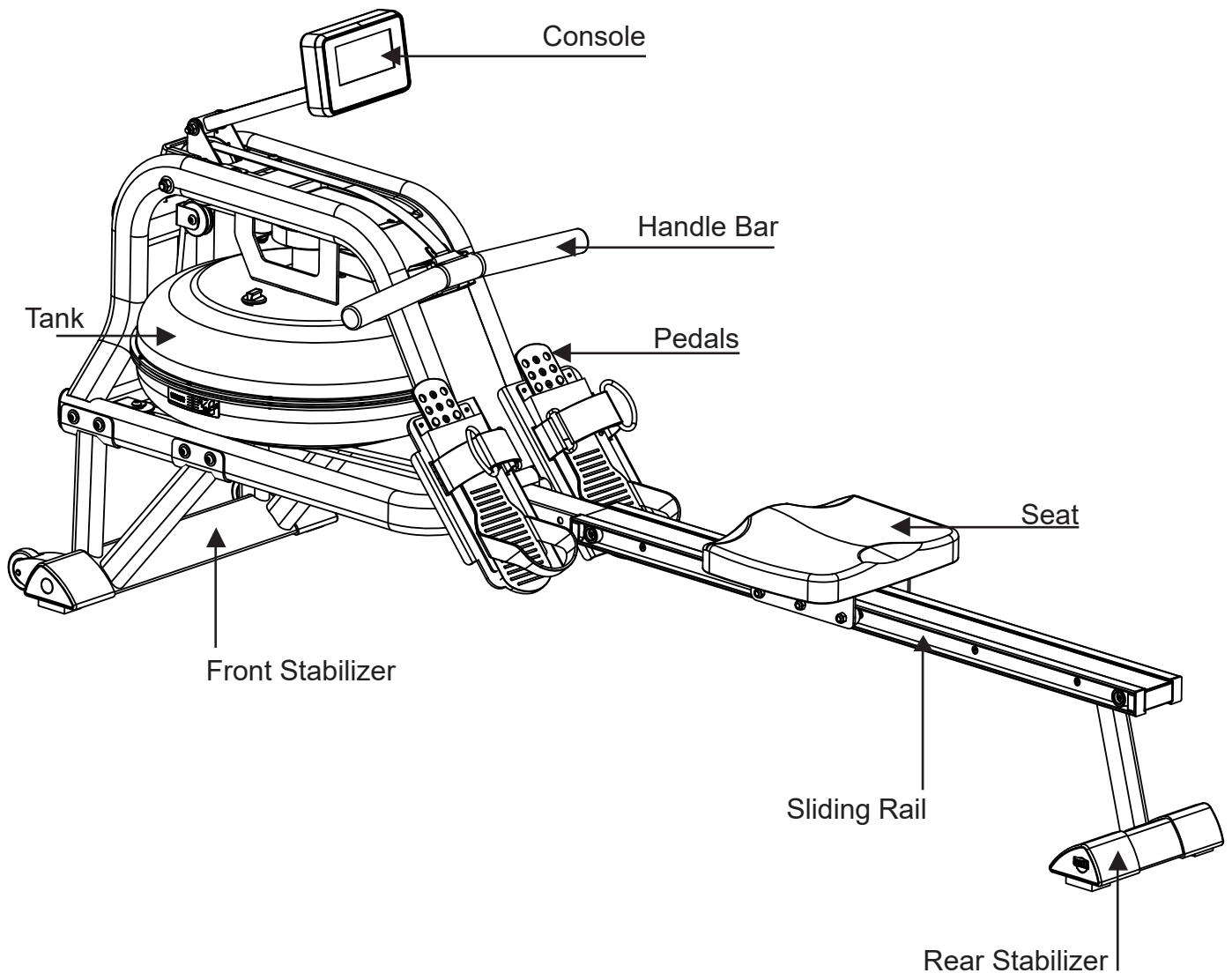
SAVE THESE INSTRUCTIONS - THINK SAFETY!

CAUTION!! Please be careful when unpacking the carton.

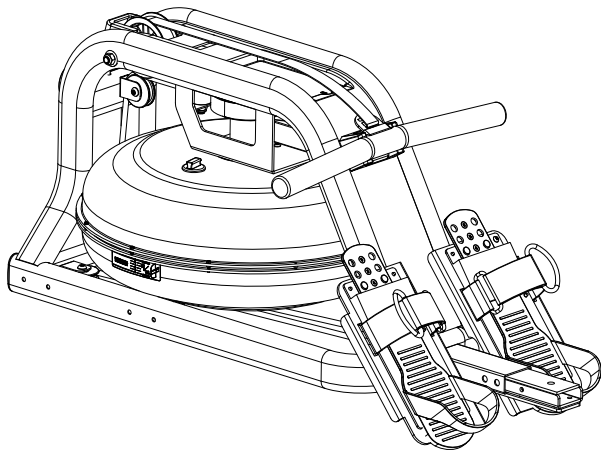
Before you begin

Thank you for selecting our revolutionary XTERRA ERG600W Water Rowing Machine. A rower is an effective exercise for increasing cardiovascular fitness, building endurance, and toning the body. Our Water Rowing Machine provides an impressive selection of features designed to make your workouts at home more effective and enjoyable.

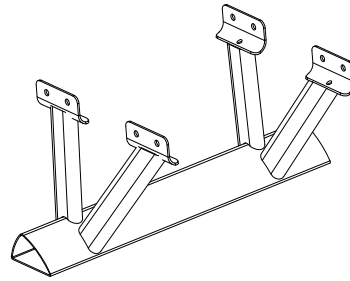
For your benefit, read this manual carefully before you use the ERG600W Water Rowing Machine. To help us assist you, note the product model number and serial number before contacting us. Before reading further, please familiarize yourself with the parts that are labeled in the drawing below.



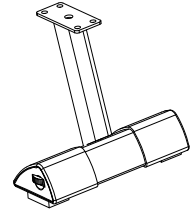
ERG600W Assembly Part Checklist



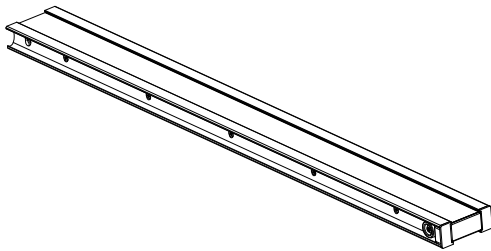
NO.1



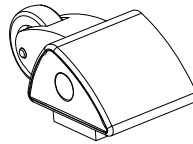
NO.2



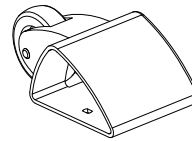
NO.4



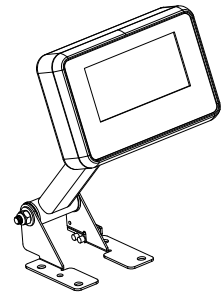
NO.3



NO.25



NO.26



NO.46



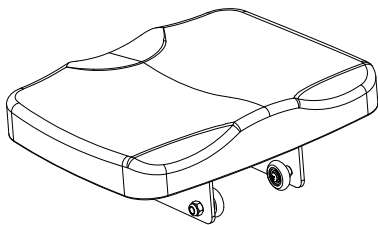
NO.82



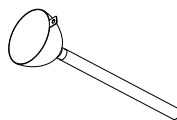
NO.83



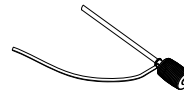
NO.35



NO.36



NO.77



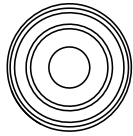
NO.76

ERG600W Assembly Part Checklist

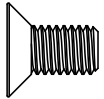
Part No	Description	Q'ty
1	Main Frame	1
2	Front Stabilizer	1
4	Rear Stabilizer	1
3	Slide Rail	1
25	Left End Cap	1
26	Right End Cap	1
46	Console	1
82	Rail Endcap L	1
83	Rail Endcap R	1
35	Stopper	2
36	Seat	1
77	Funnel	1
76	Pumping Siphon	1
	User Manual	1
	Hardware Parts	1

Note: Above parts are all needed to assemble this machine. Before you start to assemble, please check the hardware packing to make sure they are included.

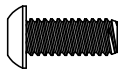
ERG600W Assembly Pack Checklist



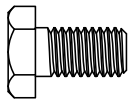
_____ #35 Stopper 2pcs



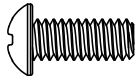
_____ #58 M8*15 4pcs



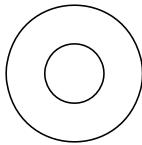
_____ #60 M8*18 14pcs



_____ #66 M8*15 4pcs



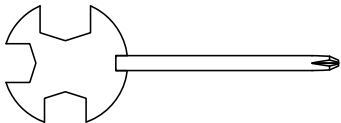
_____ #68 M4*12 2pcs



_____ #71 OD20*ID8.5*1.5 16pcs



_____ #74 S5 1pc



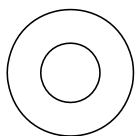
_____ #75 S13-17 1pc



_____ #82 Rail endcap L 1pc



_____ #83 Rail endcap R 1pc

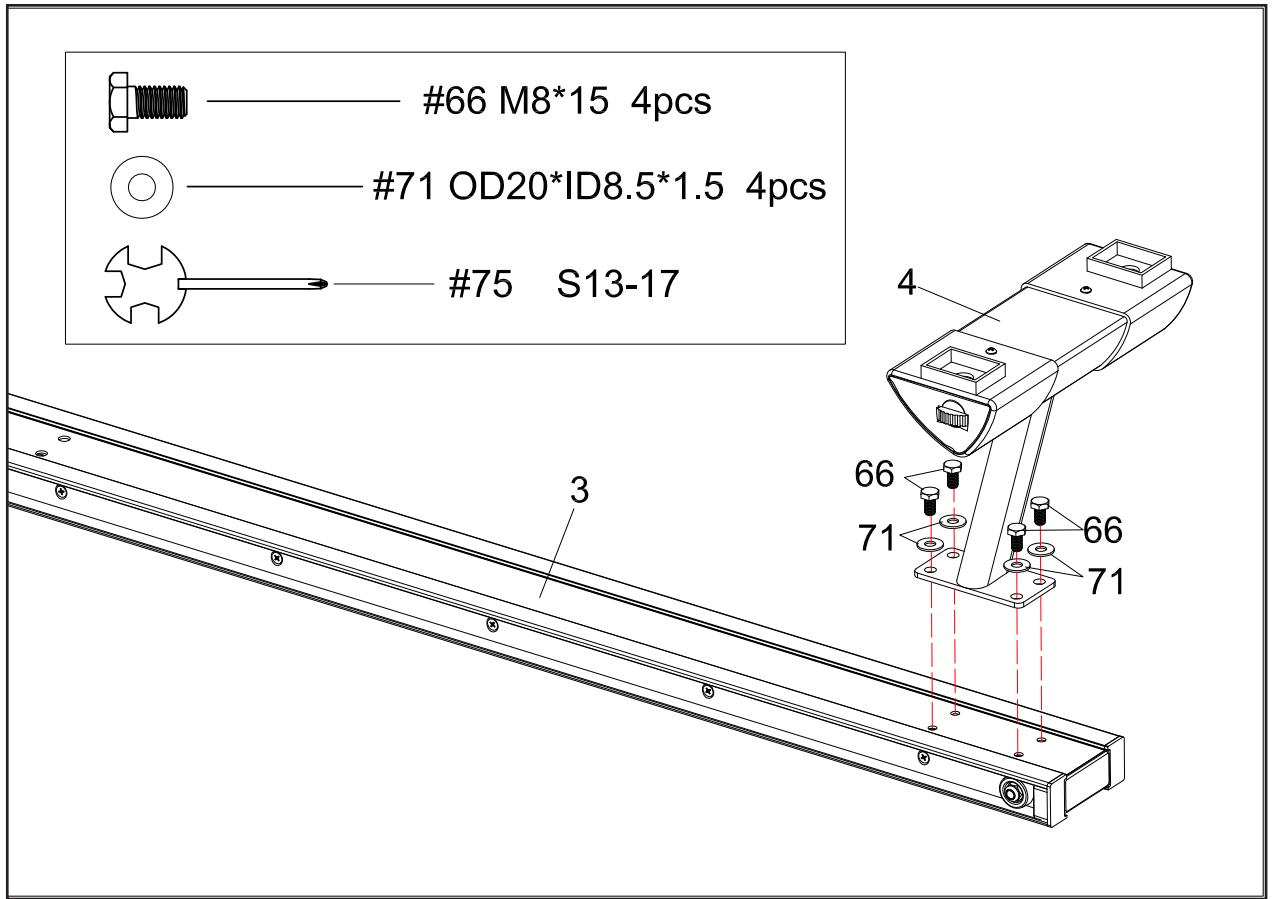


_____ #87 OD16*ID8.5*1.5 2pcs

ERG600W Assembly Instructions

1

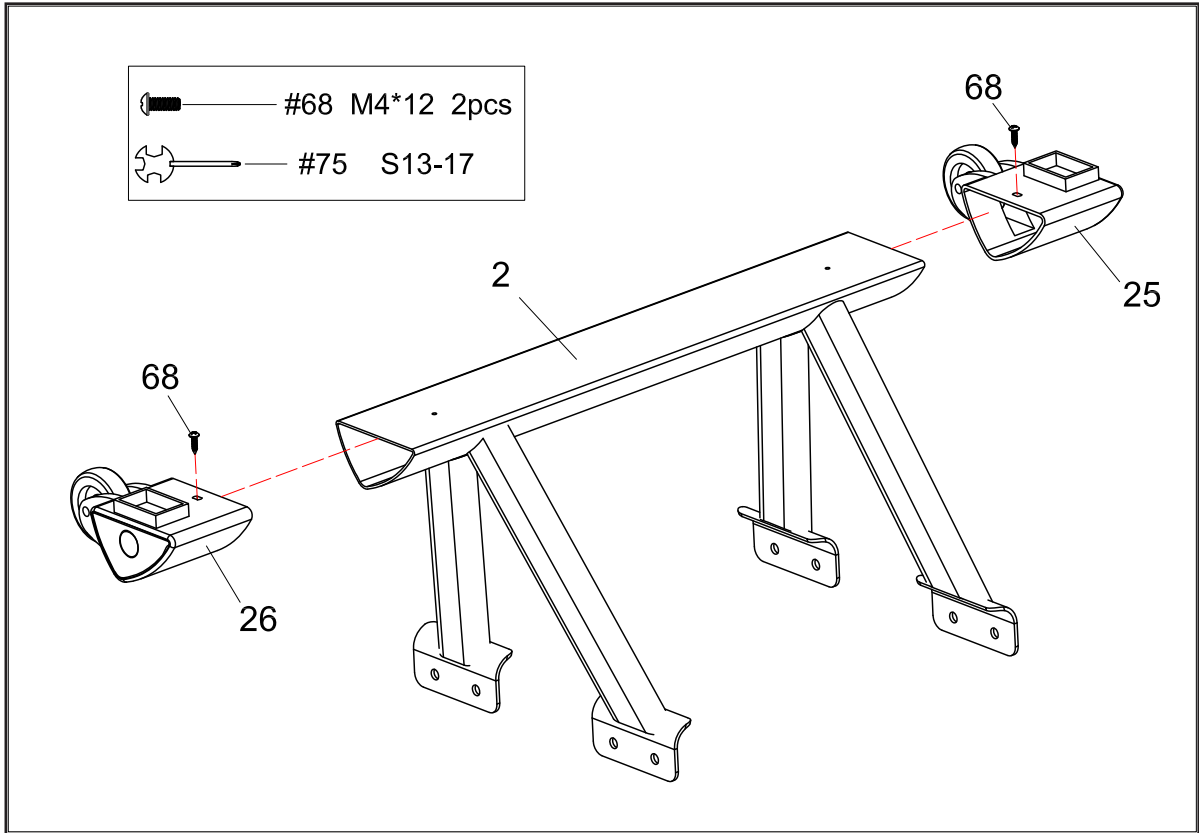
Rear Stabilizer



NOTE: We recommend having 2 people to assemble the product.

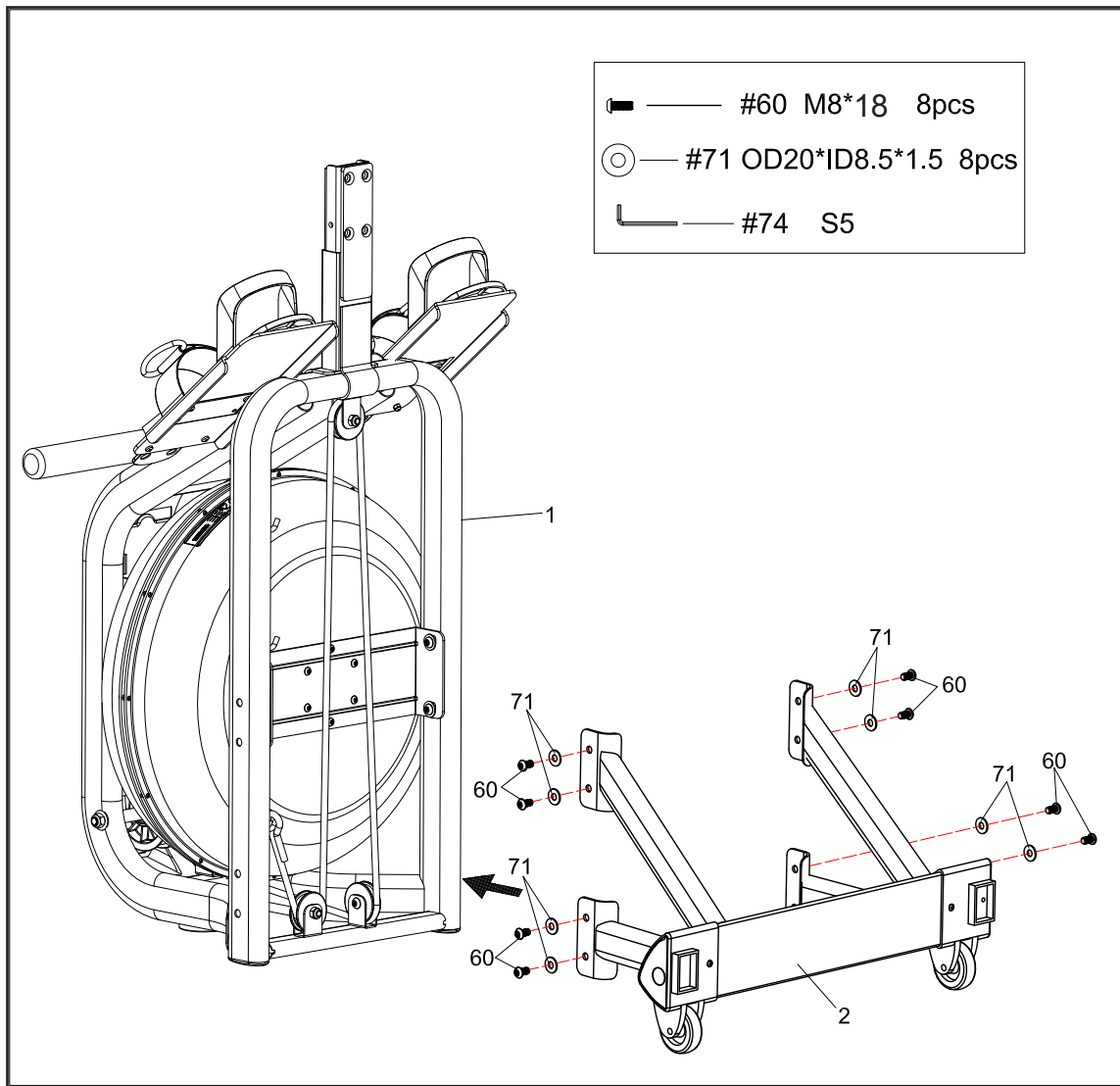
1. Turn over the **Slide Rail (No. 3)** as above. Attach the **Rear Stabilizer (No. 4)** to the Slide Rail with **4 Washers (No. 71)** and **4 Outer Hex Screws (No. 66)**.
2. Tighten with **Spanner (No. 75)**.

2 Front Stabilizer Endcaps



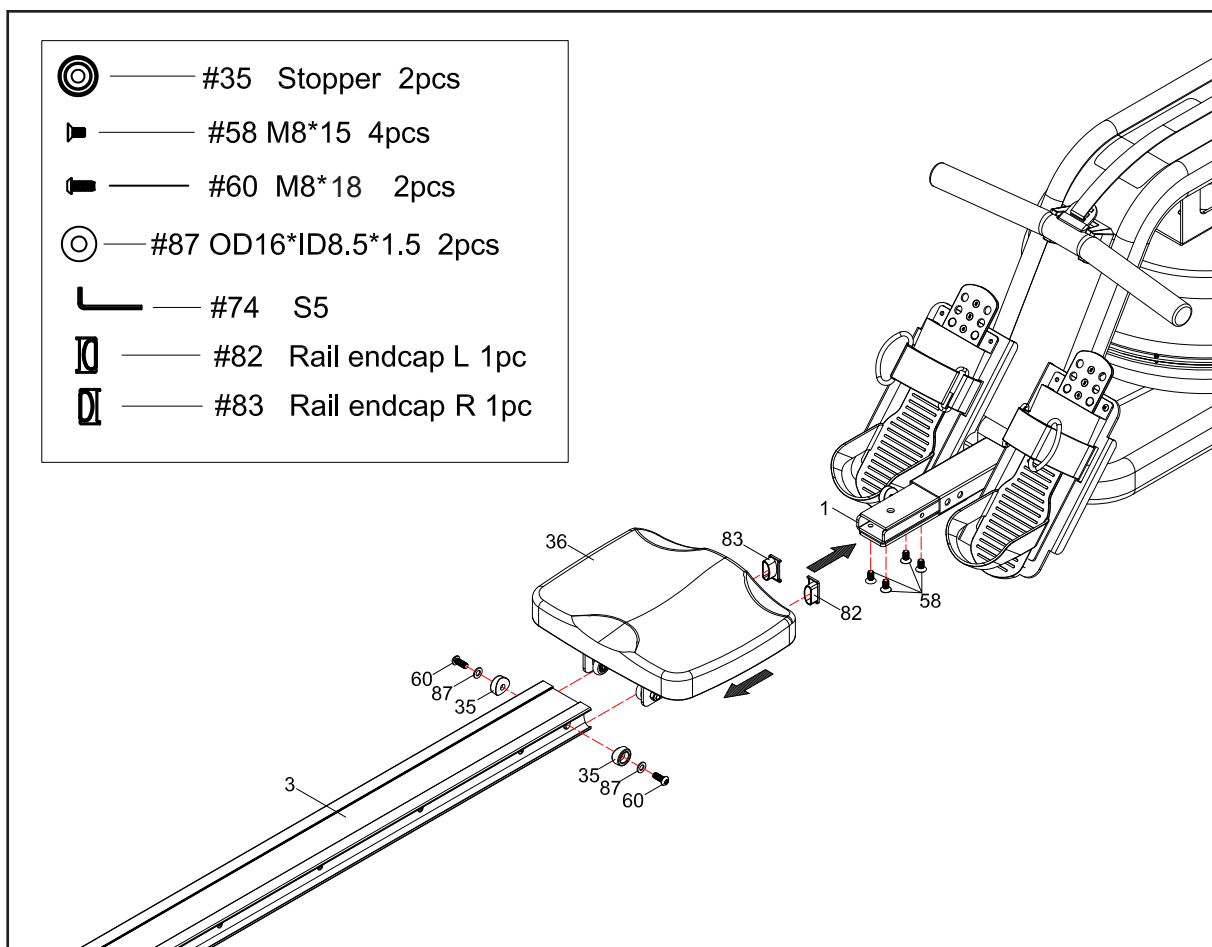
1. Attach L & R End Caps (No.25 & 26) to Front Stabilizer (No.2). Then tighten with 2 Cross Screws (No.68) using the Spanner (No.75).

3 Attaching the Front Stabilizer



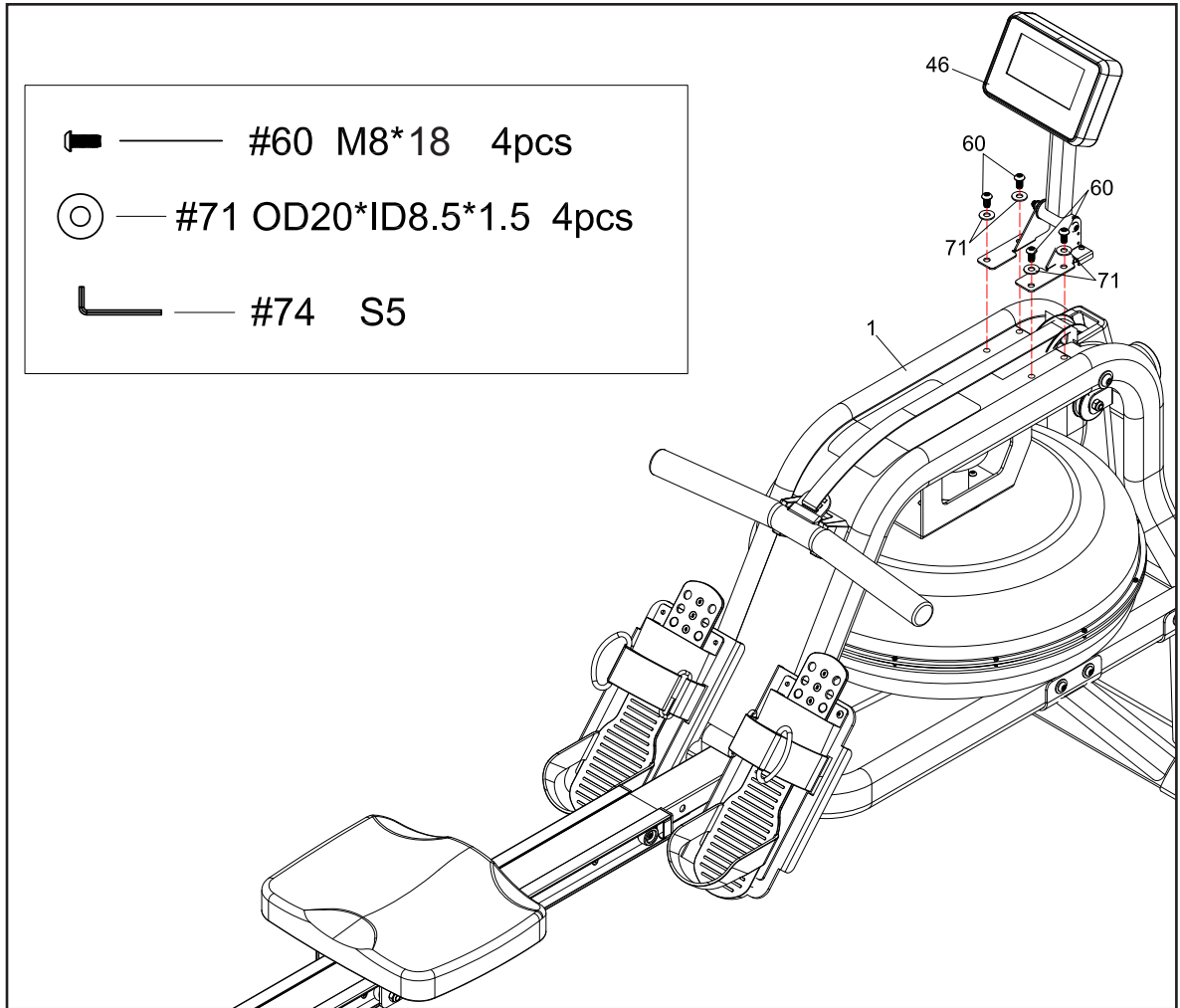
1. Turn the **Main Frame (No.1)** upright. Attach the **Front Stabilizer (No.2)** to **Main Frame (No.1)** using **8 Washers (No.71)** and **8 Screws (No.60)**. Tighten with **Allen Wrench (No.74)**.
2. You can put 3~4 screws into the holes first, and start tightening by hand. After all the screws are put in, then tighten with the tool.

4 Seat and Rail



1. Slide the **Seat (No.36)** onto the **Slide Rail (No.3)**.
2. Attach the **Slide Rail (No. 3)** to the **Main Frame (No. 1)** using **4 Flat Screws (No. 58)**.
3. Secure the **Stopper (No.35)** with **2 Screws (No.60)** and **Washers (No.87)**. Insert all 6 screws partially into the holes first, and then tighten with **Allen Wrench (No.74)**.
4. Attach **Rail endcap L(No.82)** and **Rail endcap R(No.83)** to the **Slide Rail (No.3)**.

5 Console



1. Attach **Console(No.46)** to **Main Frame (No.1)** using **4 Washers (No.71)** and **4 Screws (No.60)**. Tighten with **Allen wrench (No.74)**.

How to Fill and Empty the Tank

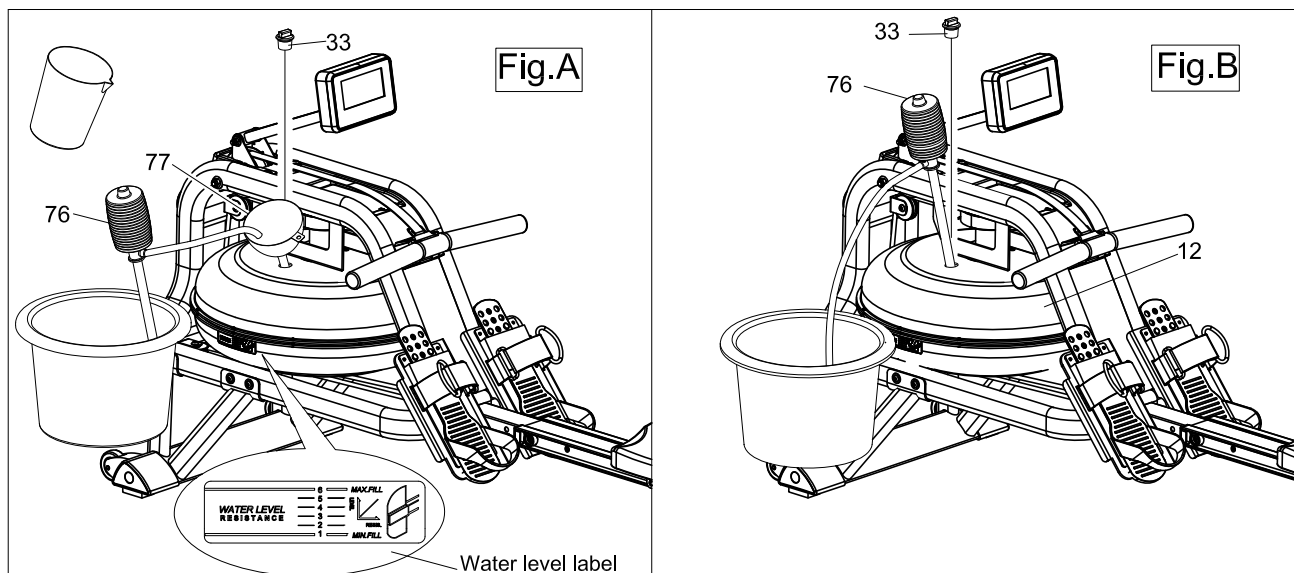
1. Remove the **Fill Plug (No.33)** from the **Upper Tank Cover (No.12)**.
2. To fill tank with water, refer to Fig. A. Insert the **Funnel (No.77)** into the tank, then use a cup or the **Siphon Pump (No.76)** and a bucket to fill the tank. Use the water level gauge on the side of the tank to measure desired water level in the tank.
3. To empty the tank, refer to Fig. B. Place a bucket next to the rower, and use the **Siphon Pump (No.76)** to pump out the water from the tank into the bucket.
4. Insert the **Fill Plug (No.33)** into the **Upper Tank Cover (No.12)**. Wipe excess water off of the frame.

NOTE:

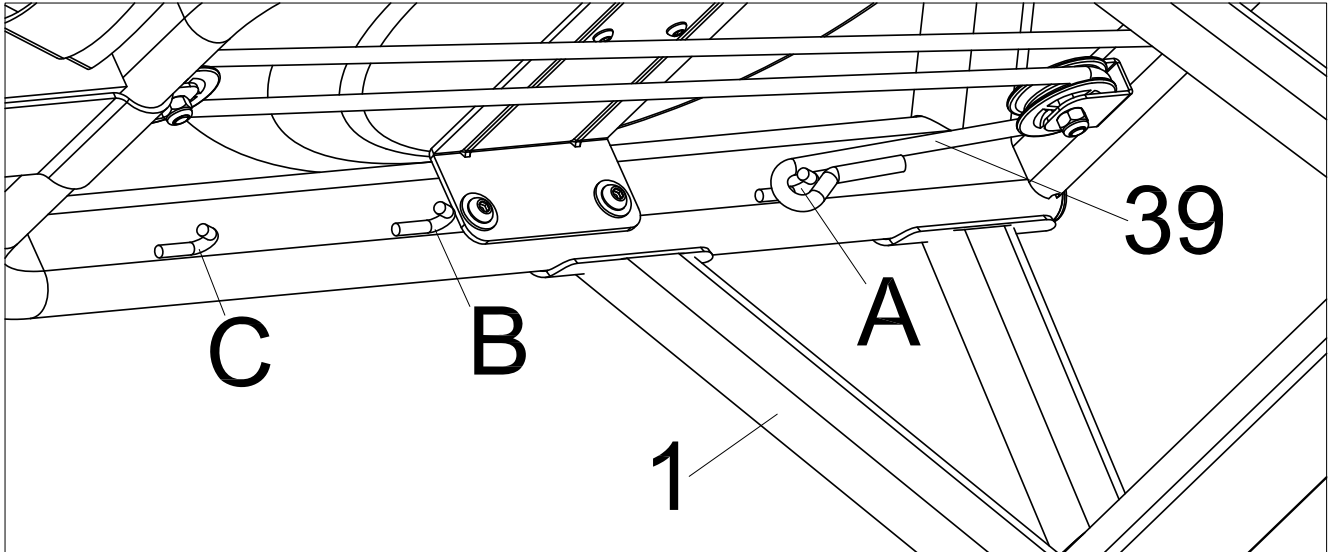
- Fill the tank only with tap water. Never use pool chlorine or chlorine bleach. This will damage the tank and void the warranty.
- Water from the tank is not suitable for consumption. Dispose the water after pumping it out from the tank.
- To extend the life of your rower and prolong use between tank cleanings, please purchase water cleaning tablets at www.xterrafitness.com, or by calling 1-(870) 333-5500.

WATER LEVEL

- See Fig. A. The water level gauge is on the side of the tank. The maximum fill level is 6. Never fill it over this limit. Filling the tank over this limit will void the warranty.
- The resistance depends on the water level in the tank. Water level 1 is the lowest resistance. Level 6 is the highest resistance.



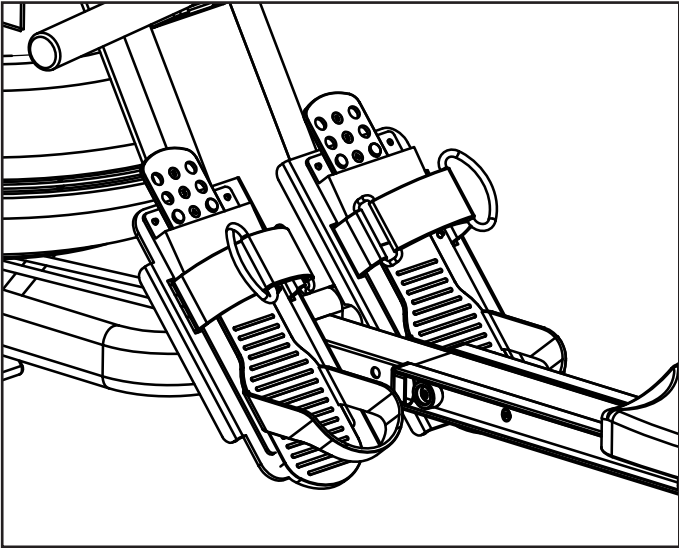
Adjustment Guide



There are 3 hooks (A, B, C) for the bungee cord, located on the inside of the **Frame (No.1)** under the water tank. If you hook the **Bungee Cord (No.39)** on to B or C, it increases the assisted return of the mesh belt. C is the fastest return.

Use caution when adjusting the bungee cord.

Adjustment Guide and Storage

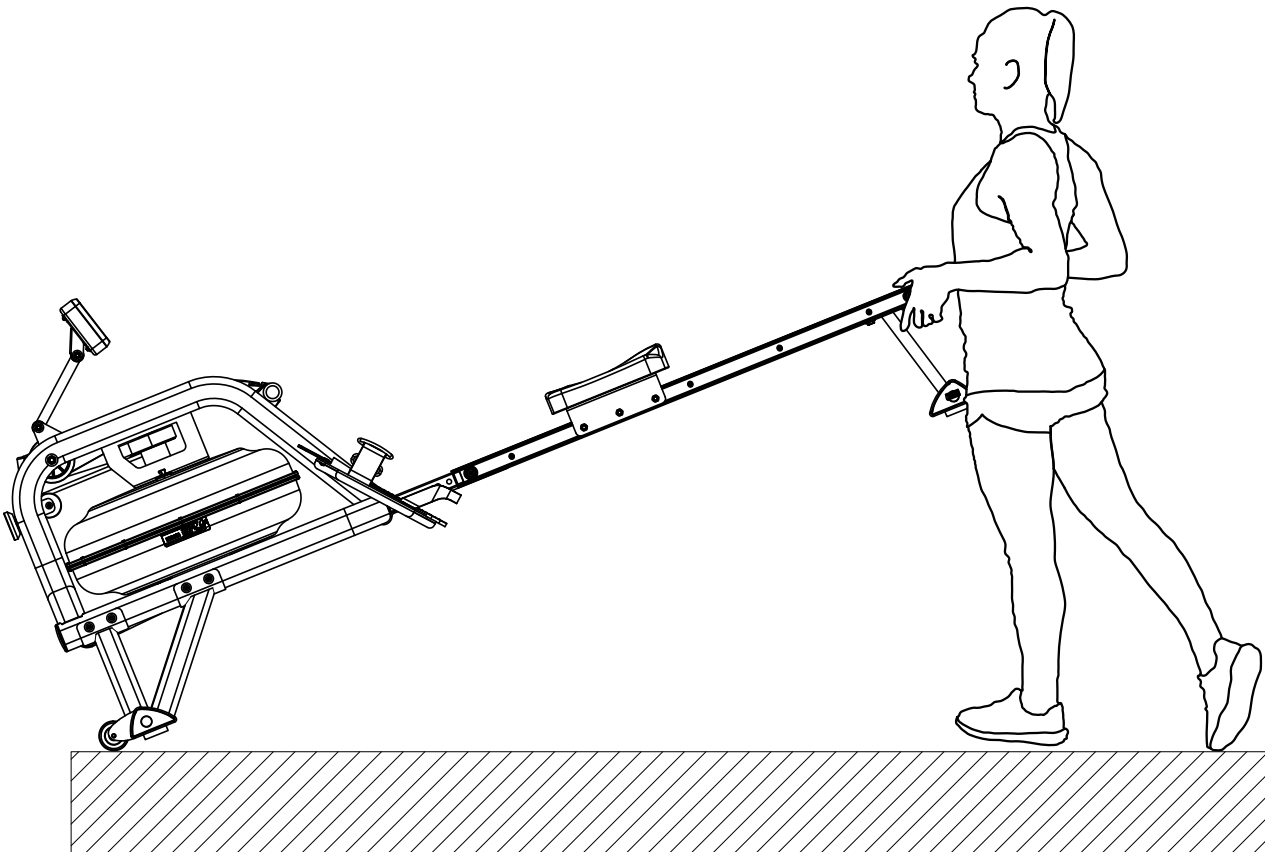


The pedal strap is adjustable and can be personalized to fit the user's foot size.

To adjust the pedal strap, remove the Velcro end of the strap from the mesh side by pulling it upward and over to the side.

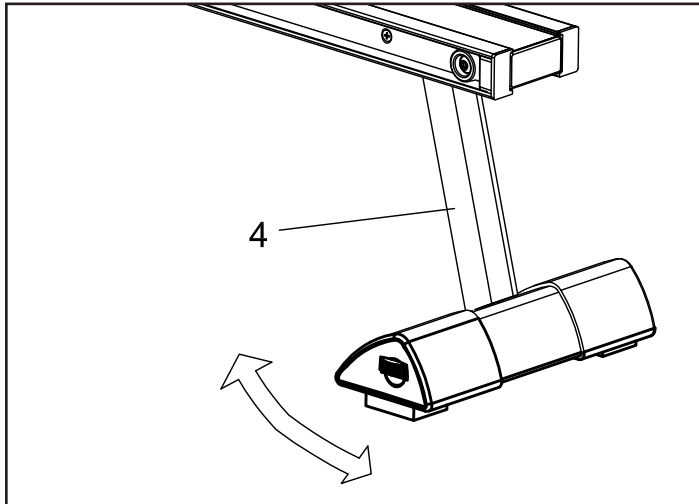
Once removed, you may increase the opening of the pedal strap by pulling the mesh end up and to the side.

To tighten, pull the Velcro end of the pedal strap upward then over and down to secure it to the mesh side of the strap.



To move the machine, lift up the rear stabilizer until the transportation wheels on the front stand touch the ground. With the wheels on the ground, you can transport the rower to the desired location with ease.

Adjustment Guide

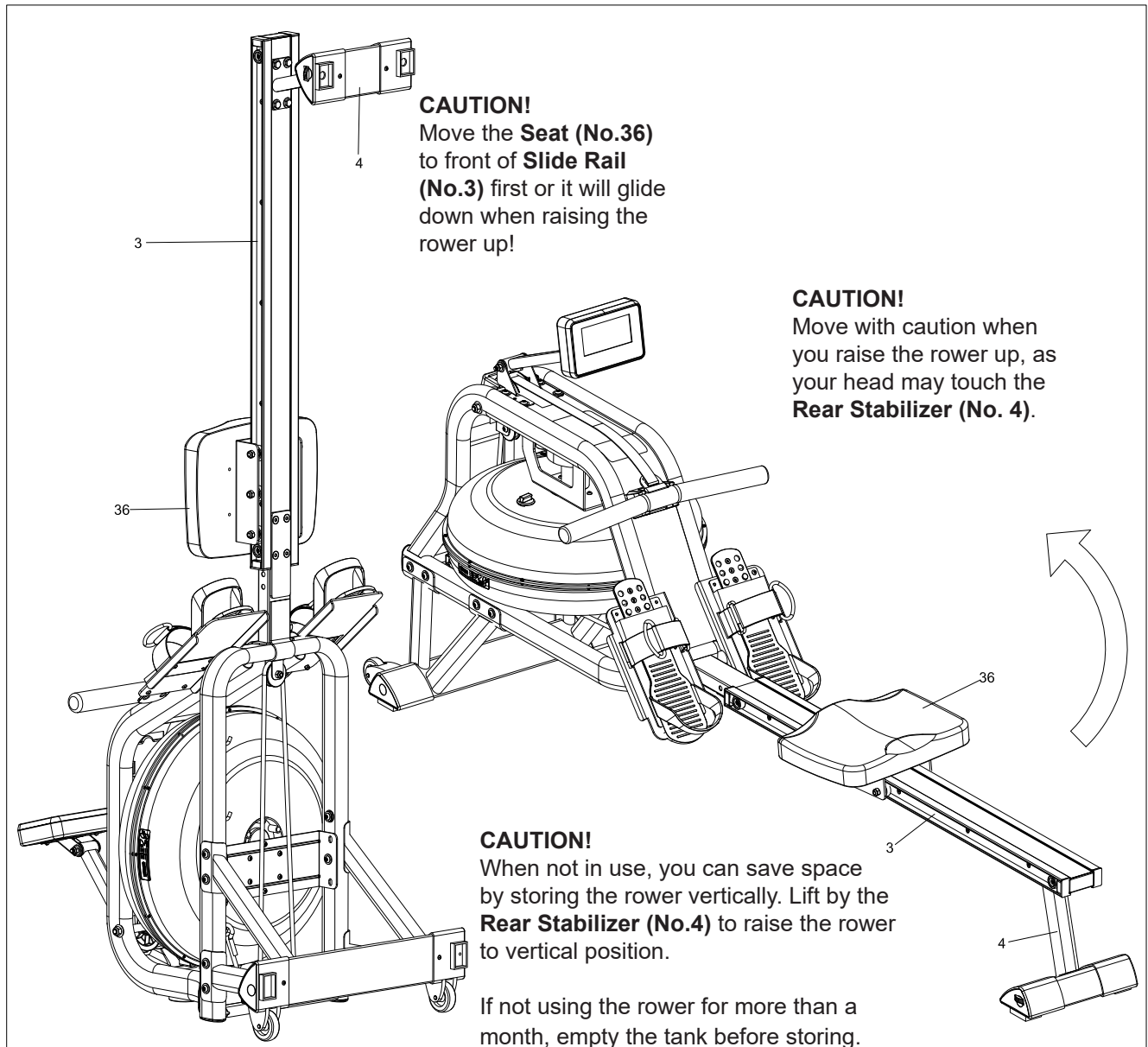


Adjusting the Balance

Adjust the End Caps on the **Rear Stabilizer (No.4)** of the machine if the machine is unbalanced during use.

CAUTION!

Moving parts, such as the seat, can crush and cut. Keep hands clear of the Slide Rail during use.



CAUTION!
Move the **Seat (No.36)** to front of **Slide Rail (No.3)** first or it will glide down when raising the rower up!

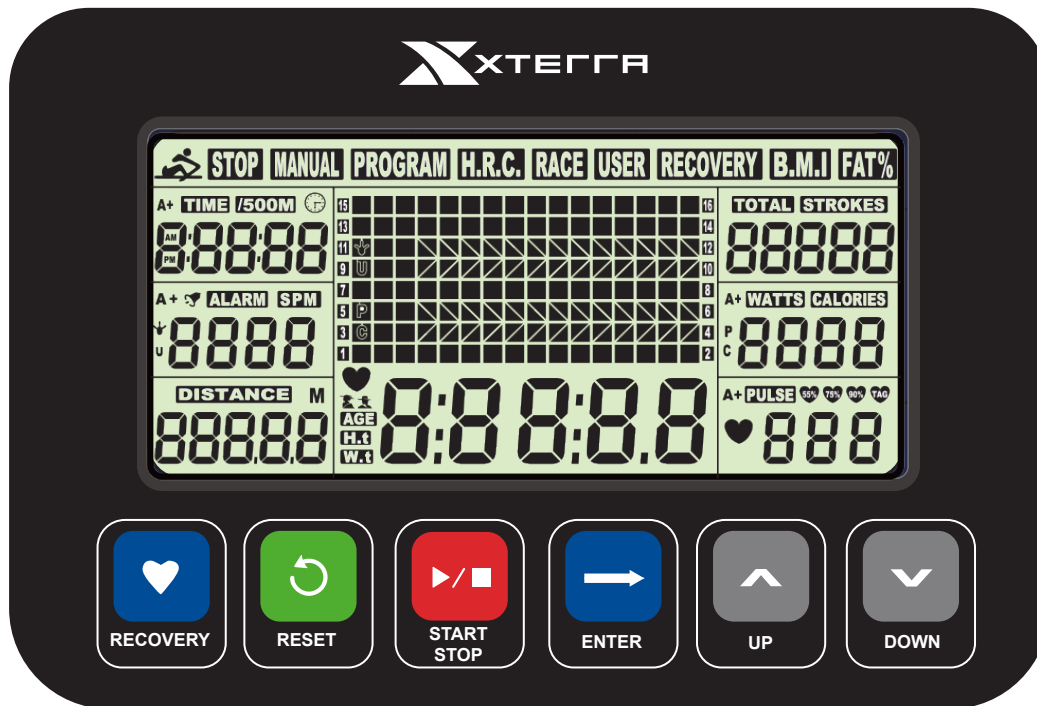
CAUTION!
Move with caution when you raise the rower up, as your head may touch the **Rear Stabilizer (No. 4)**.

CAUTION!
When not in use, you can save space by storing the rower vertically. Lift by the **Rear Stabilizer (No.4)** to raise the rower to vertical position.

If not using the rower for more than a month, empty the tank before storing.

Operation of Your Console

ERG600W Console



Our computerized display console on the Water Rowing Machine allows the user to tailor a personalized workout by monitoring their progress. During a workout, the display console will alternately and repeatedly display the Time, Time/500M, SPM, Distance, Strokes, Total Strokes, Calories Burned and Pulse (all of the above).

Button Functions

- UP / DOWN:** Press these two buttons to scroll through available selection. To adjust the function value upward and downward.
- ENTER:** Press to confirm your selection. During training, press the button to cycle scan each display function.
- START / STOP:** To start and stop your selected workout program.
- RESET:** To return the computer back to the main menu. Press and hold to reset values.
- RECOVERY:** To activate the RECOVERY PROGRAM that will automatically evaluate your fitness immediately after your work out.

Functions

- TIME:** Set a target time by pressing the UP and/or DOWN buttons (1min ~ 99 min), in 1 minute increments.
- TIME / 500M:** Your average time to reach 500 meters is automatically displayed.
- SPM:** Strokes per minute.
- DISTANCE:** Preset a target value by pressing the UP and/or DOWN buttons (0 ~ 99900meters), 100 meters increments.
- STROKES:** Set a target value by pressing the UP and/or DOWN buttons (0~9990 strokes). 10 strokes increments.
- TOTAL STROKES:** Accumulates total strokes from 0 up to 9999.
- CALORIES:** Set a target value by pressing the UP and/or DOWN buttons (10~9990 Cal). 10 strokes increments.
- PULSE:** (Wireless chest strap sensor sold separately) - In Manual Mode, set the target heart rate value by pressing up/down (available range is 30 to 240 in 1 BPM increments). The computer will display user's heart rate during training. When you are out of range of the target value during exercise, the computer will beep and PULSE will blink until target range is resumed or wireless chest strap sensor is removed. The pulse measurement function is only usable with the optional wireless chest strap sensor.
- CALENDAR:** The computer will display year, month, and day when computer is in sleep mode.
- TEMPERATURE:** The computer will display current room temperature when the computer is in sleep mode.
- CLOCK:** The computer will display current clock when the computer is in sleep mode.

Operation of Your Console

1. Install 2 AA batteries (included) and computer will beep for 2 seconds (Fig.1). Then, the computer will enter into the CLOCK & CALENDAR MODE (Fig.2).
2. The CLOCK will flash. Press UP / DOWN to set the hour. Press ENTER to confirm. Press UP / DOWN to set the minutes. Press ENTER to confirm.

Continue to set up YEAR (in the STROKES window); MONTH (in the CALORIES window); DAY (in the PULSE window) by pressing UP or DOWN. Each time, press ENTER to confirm.

After you confirm all values, ALARM will blink. To skip setting up an alarm, press ENTER. To set up an alarm, press the UP KEY to turn on ALARM. An arrow will appear next to ALARM. Press ENTER. CLOCK window will flash. Press UP or DOWN to set the alarm time. Press ENTER to confirm.

Computer will then go into the SPORT screen (Fig.3).

3. When you enter into the SPORT screen, MANUAL and RACE will blink. Press UP or DOWN to select MANUAL or RACE. Press ENTER to confirm your selection.

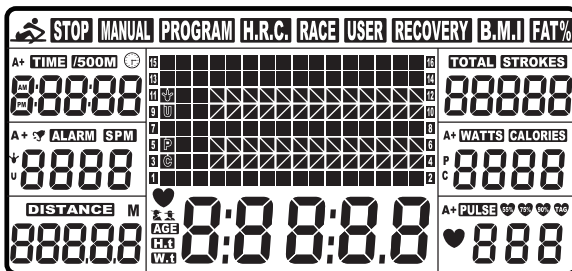


Fig. 1

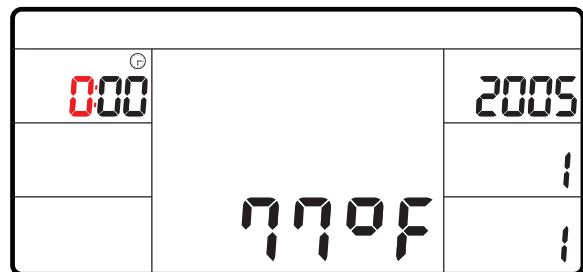


Fig. 2

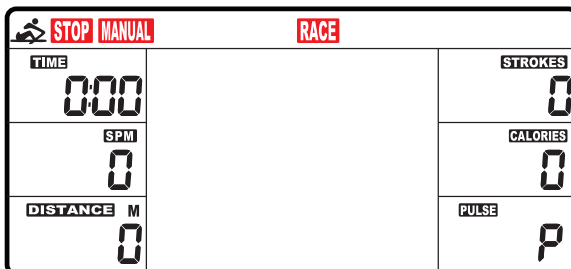


Fig. 3

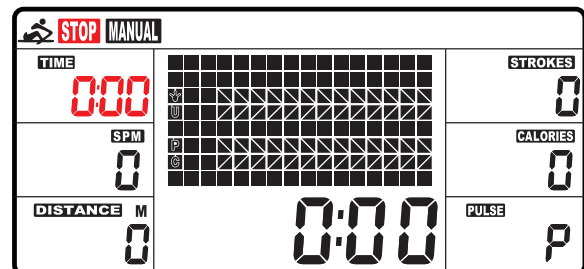


Fig. 4

Operation of Your Console

1. MANUAL (Fig.4): There are 2 options in MANUAL mode.

A. The computer can be set to countdown a different value.

When you select MANUAL, the value of TIME will start to flash. Press UP to set the value of TIME to countdown. Press ENTER to confirm it. If you do not want to set the value of time to COUNTDOWN, press ENTER to go to the next function.

You can set the values for DISTANCE, STROKES, CALORIES, or PULSE. (You can only set the value for one function to countdown. For example, if you have set the target value for TIME, then DISTANCE can't be set.) Press START button to start.

The STOP icon will disappear. When the function you have selected counts down to zero or you press STOP button, the computer will stop and display the average value.

B. The computer counts the value of your workout. Press START to start.

2. RACE (Fig.5):

Select RACE mode and L9 will flash. The TIME/500M will display 4:00. Then, press UP or DOWN to select L1 ~ L15. Press ENTER to confirm.

Then, you can set the distance of the race (500M~10000M) while the value of DISTANCE is blinking. Press ENTER and the picture of the race will display on the screen. The TIME/500M of the programs are as follows:

L1	L2	L3	L4	L5	L6	L7	L8	L9	L10	L11	L12	L13	L14	L15
8:00	7:30	7:00	6:30	6:00	5:30	5:00	4:30	4:00	3:30	3:00	2:30	2:00	1:30	1:00

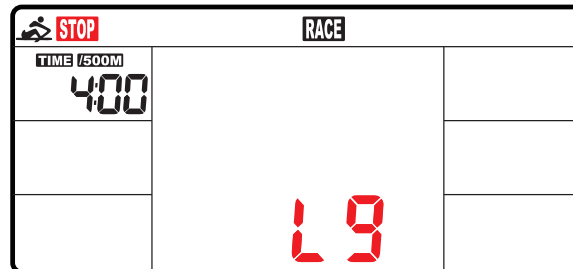


Fig. 5

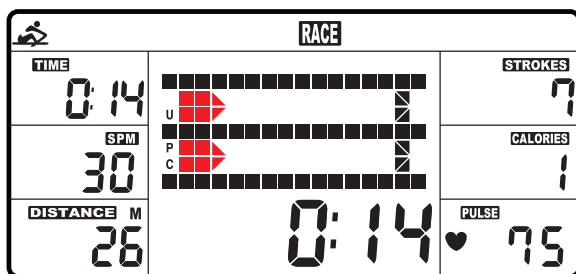


Fig. 6

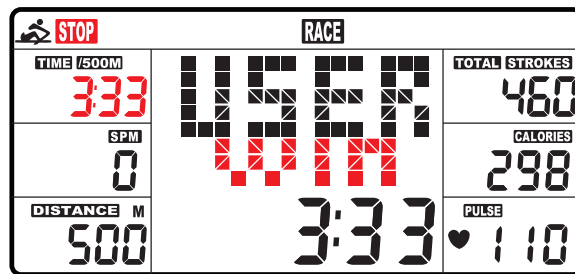


Fig. 7

A. Press START button to start and STOP will disappear. USER and PC will display in the matrix (Fig.6). The computer will stop when either user or computer has reached the race distance that was set. Then the matrix displays “PC WIN” or “USER WIN” (Fig.7).

B. When the race is over, you can press START to start a race once again. Press RESET to leave the RACE screen.

1. RECOVERY:

This is a measurement of how quickly your heart rate can return from a high (exercising) BPM to a normal BPM.

This meter works with a 5.3 KHz chest strap heart rate monitor (not included). After exercising for a period of time, keep wearing chest strap monitor and press “RECOVERY” button. All function displays will stop except “TIME” starts counting down from 00:60 to 00:00.

Screen will display your heart rate recovery status with the F1, F2....to F6.

F1 is outstanding. F6 is poor. User may keep exercising to improve the heart rate recovery status. (Press the RECOVERY button again to return the main display.)

ALARM:

Alarm only works while the computer is in sleep mode. Alarm will not sound during exercise. Press and hold RESET to go to clock screen to set up ALARM.

SLEEP MODE:

The computer will go into sleep mode after about 4 minutes of inactivity.

BATTERIES:

This meter uses 2 AA batteries, which are included. Changing the batteries will reset all values. If there is a problem with the display, try changing the batteries first. When changing the batteries, change both of them. Do not mix battery types. Do not mix old and new batteries. Dispose of old batteries according to your regional guidelines

Trouble Shooting

Problem	Cause	Solution
Monitor does not display	Batteries not Installed	Install Batteries
	Computer Wires not connected	Ensure the computer wires are connected properly at the upright and computer
No count or distance displays on the monitor	Sensor wire not connected	Ensure the computer wires are connected properly at the upright and the computer
	Sensor wire not working properly	Replace sensor wire
	Monitor not working properly	Replace monitor
Squealing	Belt slipping	Adjust Belt

Manufacturer's Limited Warranty

Effective May 11, 2021 - ROWER LIMITED WARRANTY

XTERRA Fitness Inc. warrants all its home use Rower parts for a period of time listed below, from the date of retail sale, as determined by a sales receipt or in the absence of a sales receipt, eighteen (18) months from the original factory shipping date. XTERRA Fitness' responsibilities include providing new or remanufactured parts, at XTERRA Fitness' option, and technical support to our independent dealers and servicing organizations. In the absence of a dealer or service organization, these warranties will be administered by XTERRA Fitness directly to a consumer. The warranty period applies to the following components:

Home Use Limited Warranty

Frame	Parts	Labor
5 Years	2 Years	90 Days

NORMAL RESPONSIBILITIES OF THE CONSUMER

This warranty applies only to products in ordinary household use. The consumer is responsible for the items listed below:

1. The warranty registration card must be completed and returned to the address listed on the card within 10 days of the original purchase to validate the manufacturer's limited warranty or register online at the XTERRA Fitness website.
2. Proper use of the Rower in accordance with the instructions provided in this manual, including maintenance.
3. Proper connection to a power supply of sufficient voltage, replacement of blown fuses, repair of loose connections or defects in house/facility wiring.
4. Expenses for making the Rower accessible for servicing, including any item that was not part of the Rower at the time it was shipped from the factory.
5. Damages to the Rower finish during shipping, installation or following installation.

EXCLUSIONS

This warranty does not cover the following:

1. CONSEQUENTIAL, COLLATERAL, OR INCIDENTAL DAMAGES SUCH AS PROPERTY DAMAGE AND INCIDENTAL EXPENSES RESULTING FROM ANY BREACH OF THIS WRITTEN OR ANY IMPLIED WARRANTY. Note: Some states do not allow the exclusion or limitation of incidental or consequential damages, so this limitation or exclusion may not apply to you.
2. Service call reimbursement to the consumer. Service call reimbursement to the dealer that does not involve malfunction or defects in workmanship or material, for units that are beyond the warranty period, for units that are beyond the service call reimbursement period, for Rowers not requiring component replacement, or Rowers not in ordinary household use.
3. Damages caused by services performed by persons other than authorized XTERRA Fitness service companies, use of parts other than original XTERRA Fitness parts, or external causes such as alterations, modifications, abuse, misuse, accident, improper maintenance, inadequate power supply, or acts of God.
4. Products with original serial numbers that have been removed or altered.
5. Products that have been; sold, transferred, bartered, or given to a third party.
6. Products that are used as store display models.
7. Products that do not have a warranty registration on file at XTERRA Fitness Inc. XTERRA Fitness reserves the right to request proof of purchase if no warranty record exists for the product.
8. Product use in any environment other than a residential setting.
9. THIS WARRANTY IS EXPRESSLY IN LIEU OF ALL OTHER WARRANTIES EXPRESSED OR IMPLIED, INCLUDING THE WARRANTIES OF MERCHANTABILITY AND/OR FITNESS FOR A PARTICULAR PURPOSE.

SERVICE

Keep your bill of sale. Twelve (12) months from the date on the bill of sale or eighteen (18) months from the date of factory shipping as determined by the serial number establishes the warranty period should service be required. If service is performed, it is in your best interest to obtain and keep all receipts. This written warranty gives you specific legal rights. You may also have other rights that vary from state to state. Service under this warranty must be obtained by following these steps, in order:

1. Contact your selling authorized XTERRA Fitness dealer. OR
2. Contact your local authorized XTERRA Fitness service organization.
3. If there is a question as to where to obtain service, contact our service department at (870)333-5500
4. XTERRA Fitness' obligation under this warranty is limited to repairing or replacing, at XTERRA Fitness' option, the product through one of our authorized service centers. All repairs must be preauthorized by XTERRA Fitness. If the product is shipped to a service center freight charges to and from the service center will be the customer's responsibility. For replacement parts shipped while the product is under warranty, the customer will be responsible for shipping and handling charges. For in-home service, the customer will be responsible for a trip charge. There will be an additional trip charge if the customer is located over 100 miles from the nearest service center.
5. The owner is responsible for adequate packaging upon return to XTERRA Fitness. XTERRA Fitness is not responsible for damages in shipping. Make all freight damage claims with the appropriate freight carrier. DO NOT SHIP ANY UNIT TO OUR FACTORY WITHOUT A RETURN AUTHORIZATION NUMBER. All units arriving without a return authorization number will be refused.
6. For any further information, or to contact our service department by mail, send your correspondence to:

XTERRA Fitness, Inc.
P.O. Box 2037
Jonesboro, AR 72402-2037

Product features or specifications as described or illustrated are subject to change without notice. All warranties are made by XTERRA Fitness, Inc. This warranty applies only in the 48 contiguous United States. NOTE: This does not include Alaska or Hawaii.

3000 Nestle Road Jonesboro, AR 72401 - Phone:870-333-5500 - Fax:870-935-7611

www.xterrafitness.com

©2021 All Rights Reserved. ERG600W Owner's Manual